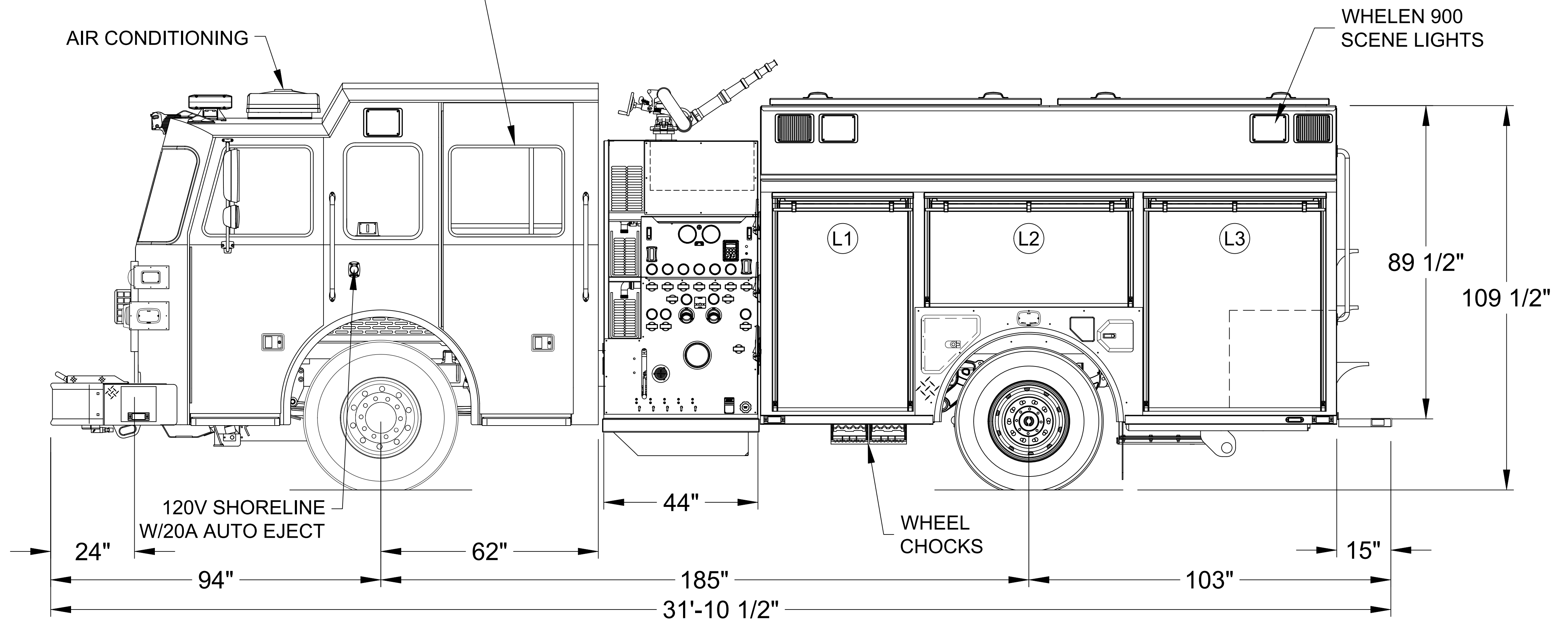
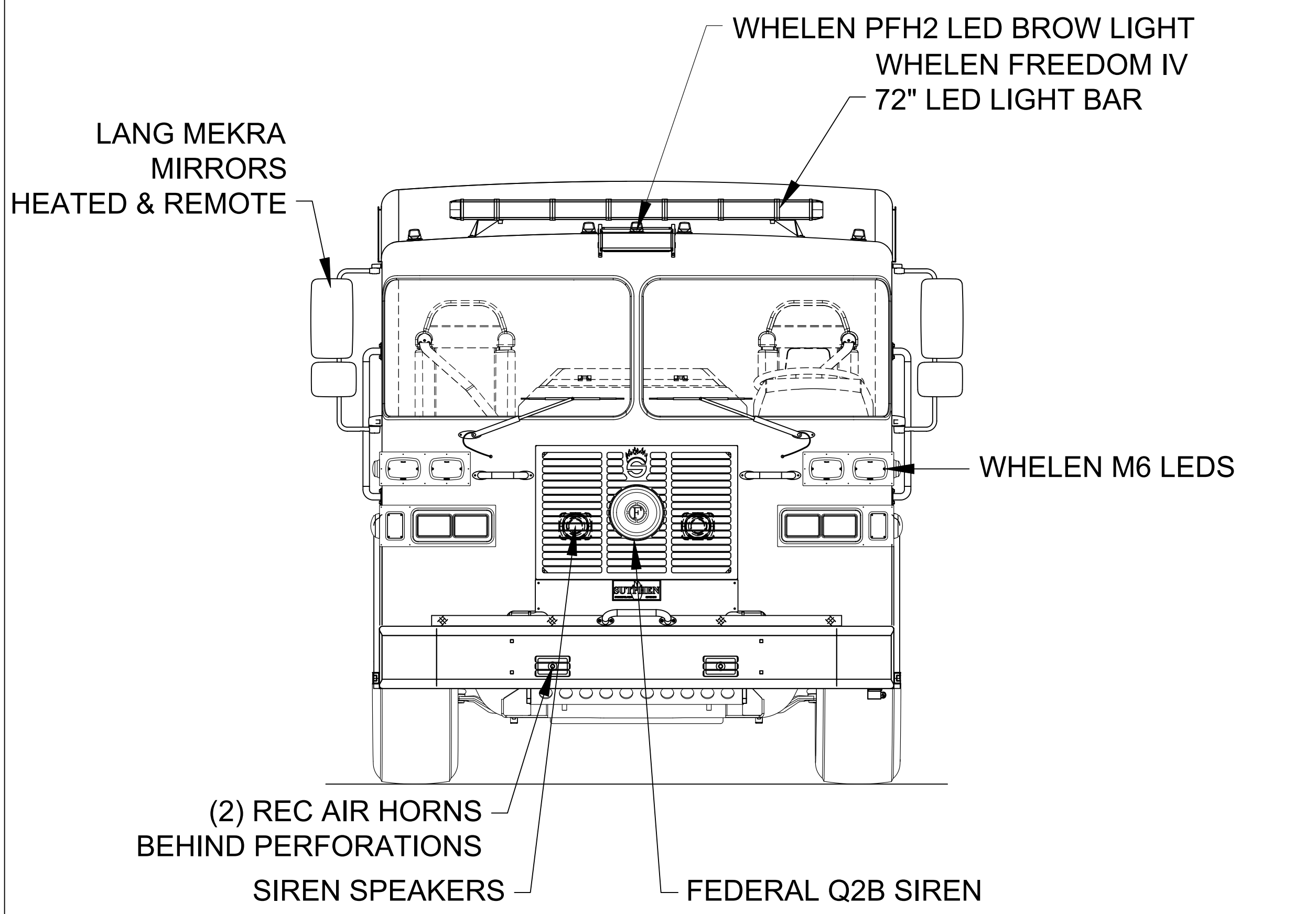
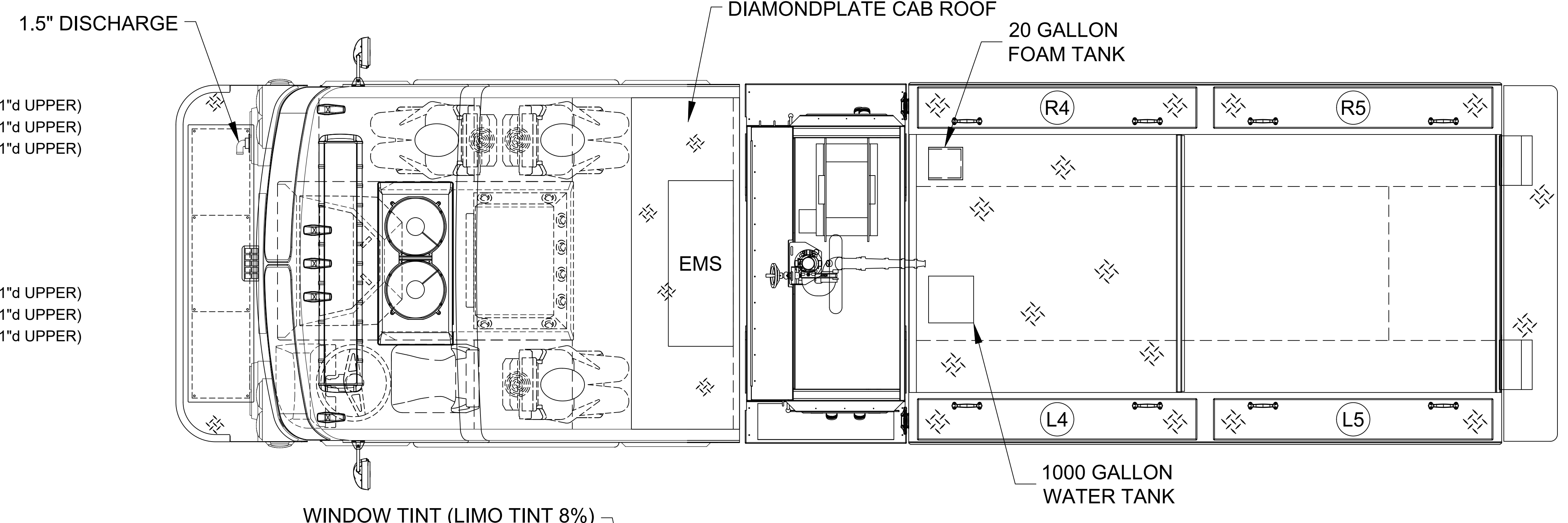


LEFT SIDE COMPARTMENTS				
COMPT	DOORS	OPENING DIMENSIONS	INSIDE DIMENSIONS	VOLUME
L1	ROLL-UP	37.5" W X 56.5" H	40" W X 66" H X 26" D	37.4 CU. FT. (8" H X 11" D UPPER)
L2	ROLL-UP	56.25" W X 27" H	59" W X 31.5" H X 26" D	28.4 CU. FT. (8" H X 11" D UPPER)
L3	ROLL-UP	48.75" W X 56.5" H	51.5" W X 66" H X 26" D	47.4 CU. FT. (8" H X 11" D UPPER)
L4/L5	LIFT-UP	75" W X 9.5" H	82" W X 19" H X 13.5" D	24.0 CU. FT.

RIGHT SIDE COMPARTMENTS				
COMPT	DOORS	OPENING DIMENSIONS	INSIDE DIMENSIONS	VOLUME
R1	ROLL-UP	37.5" W X 56.5" H	40" W X 66" H X 26" D	37.4 CU. FT. (8" H X 11" D UPPER)
R2	ROLL-UP	56.25" W X 27" H	59" W X 31.5" H X 26" D	28.4 CU. FT. (8" H X 11" D UPPER)
R3	ROLL-UP	48.75" W X 56.5" H	51.5" W X 66" H X 26" D	47.4 CU. FT. (8" H X 11" D UPPER)
R4/R5	LIFT-UP	75" W X 9.5" H	82" W X 19" H X 13.5" D	24.0 CU. FT.

REAR STEP COMPARTMENT				
COMPT	DOORS	OPENING DIMENSIONS	INSIDE DIMENSIONS	VOLUME
A1	ROLL-UP	36.75" W X 19" H	39.5" W X 28" H X 31" D	19.8 CU. FT.
TOTAL:				246.2 CU. FT.
TOTAL WITH HATCH:				294.2 CU. FT.



DIMENSIONS SHOWN ON THIS DRAWING ARE APPROXIMATE AND ARE SUBJECT TO MINOR DEVIATIONS DURING CONSTRUCTION.

IN THE EVENT OF A DISCREPANCY BETWEEN THE SUTPHEN SPECIFICATIONS AND DRAWING, THE SUTPHEN SPECIFICATIONS SHALL PREVAIL.

DRAWING IS FOR REFERENCE ONLY. SOME ITEMS PROPOSED MAY NOT BE SHOWN OR NOTED.

CUSTOMER APPROVAL

NAME: _____

TITLE: _____

DATE: _____

REV.	DESCRIPTION	BY	DATE
A	UPDATED PER LATEST COMPONENT REPORT AS OF 09/05/2023	DPN	09/05/2023

THIS PRINT IS PROVIDED ON A RESTRICTED BASIS AND IS NOT TO BE USED IN ANY WAY DETRIMENTAL TO THE INTEREST OF SUTPHEN CORPORATION.

DATE: 07/26/2023

DRAWN BY: D.NAYLOR

MFG. FACILITY: URBANA

SUTPHEN

MOUNT CLEMENS FIRE DEPARTMENT
MOUNT CLEMENS, MI

CUSTOM PUMPER - G9

DWG. NO.: MOUNT CLEMENS, MI (2023 G9).dwg