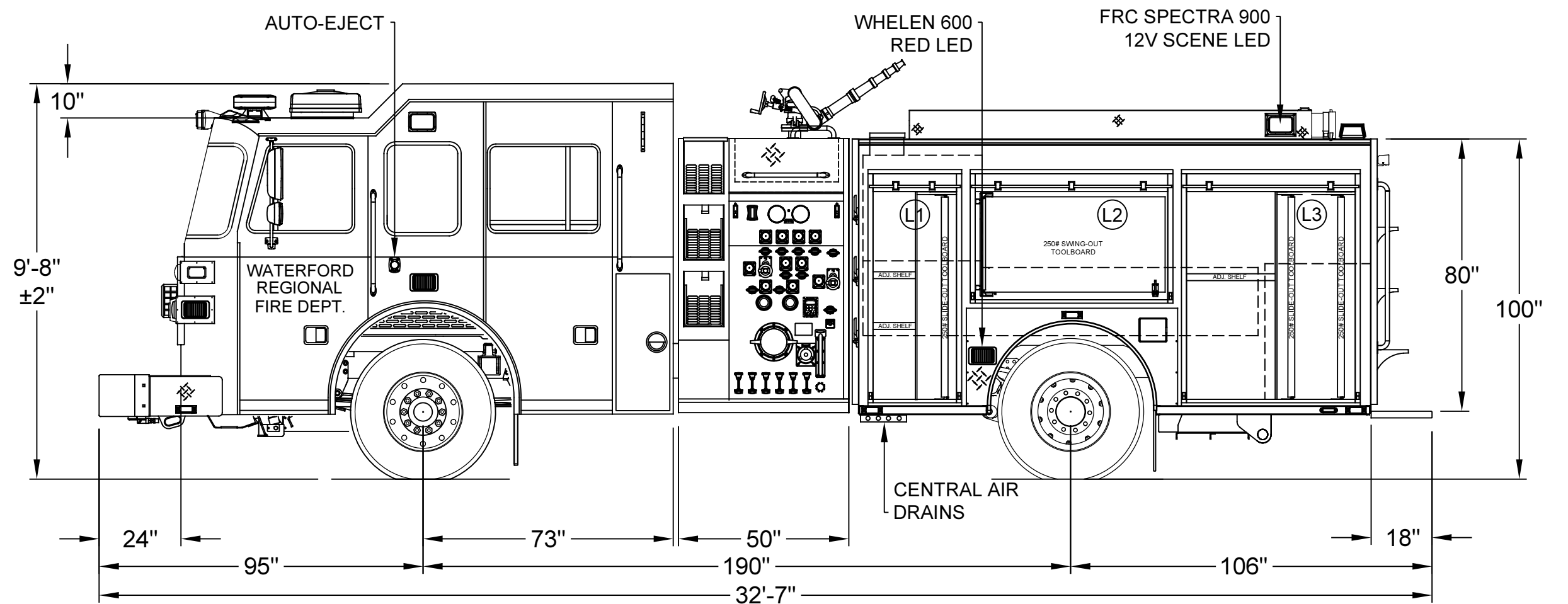
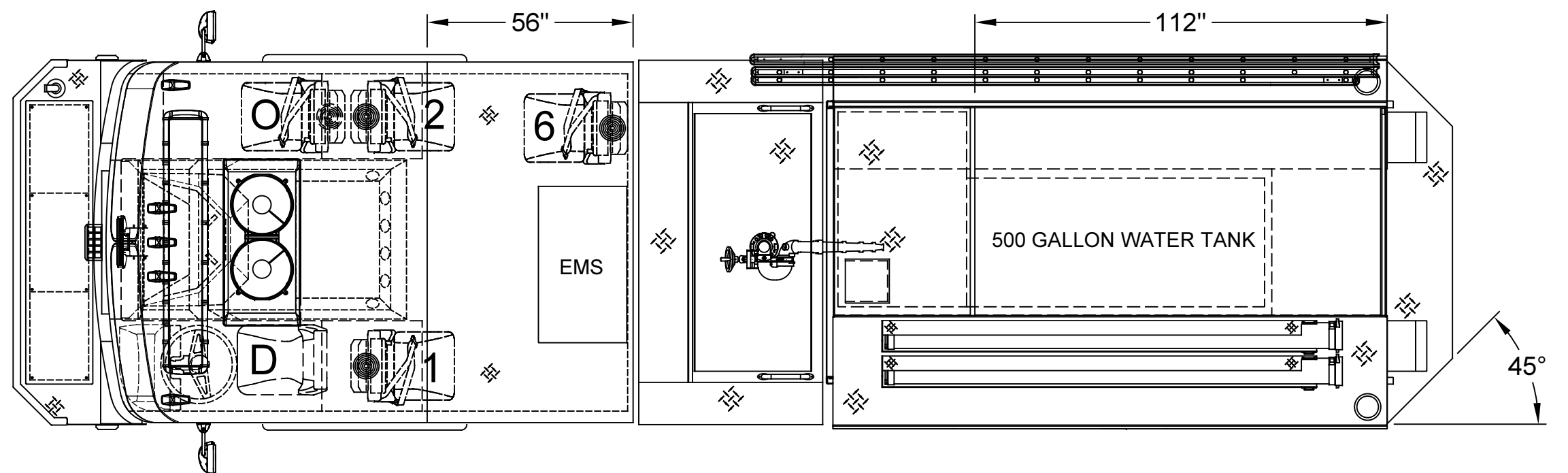
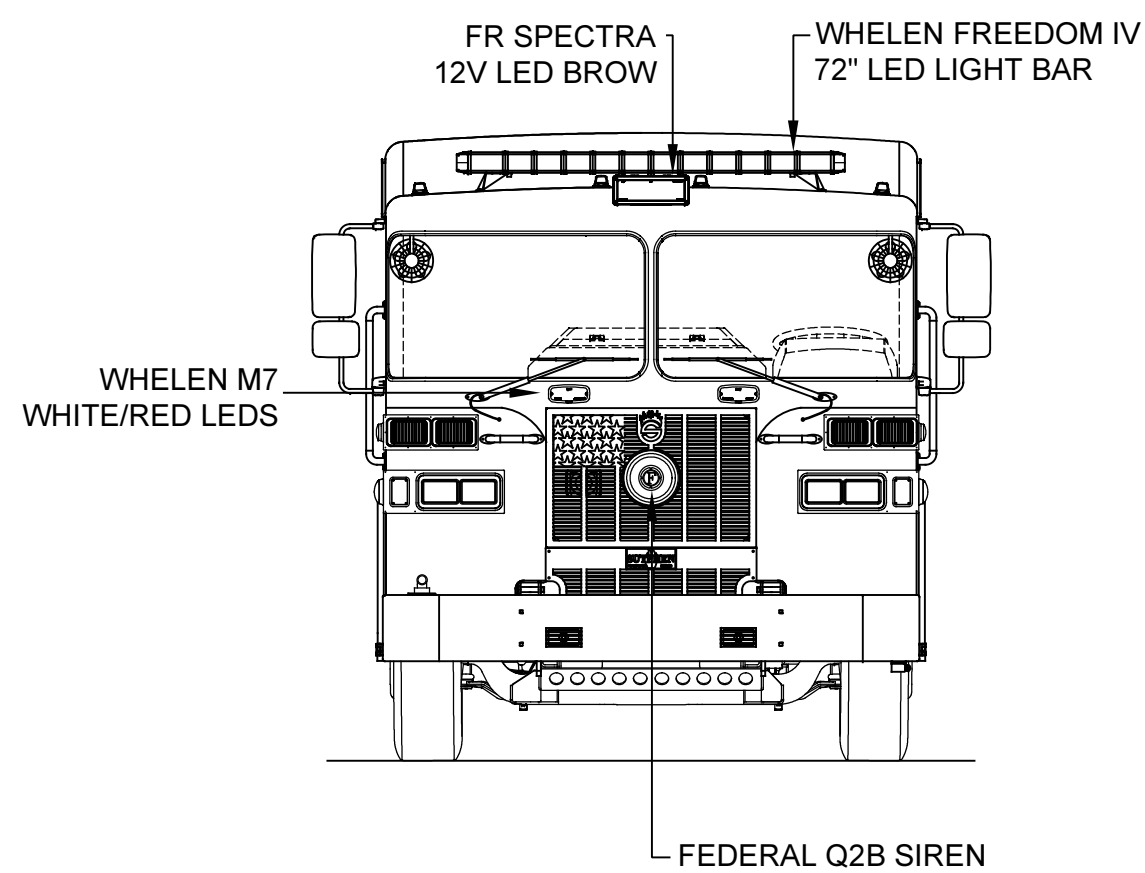


| LEFT SIDE COMPARTMENTS | | | | |
|------------------------|---------|--------------------|--------------------------|--------------|
| COMPT | DOORS | OPENING DIMENSIONS | INSIDE DIMENSIONS | VOLUME |
| L1 | ROLL-UP | 25.5"w X 63.4"h | 30.5"w X 72"h X 27.3"d | 34.7 CU. FT. |
| L2 | ROLL-UP | 57.5"w X 34.2"h | 61.6"w X 42.8"h X 27.3"d | 41.7 CU. FT. |
| L3 | ROLL-UP | 50.5"w X 63.4"h | 53.4"w X 72"h X 27.3"d | 60.7 CU. FT. |

| RIGHT SIDE COMPARTMENTS | | | | |
|-------------------------|-----------|--------------------|------------------------|--------------|
| COMPT | DOORS | OPENING DIMENSIONS | INSIDE DIMENSIONS | VOLUME |
| R1 | ROLL-UP | 25.5"w X 51.4"h | 30.5"w X 40"h X 27.3"d | 19.3 CU. FT. |
| R2 | DROP DOWN | 57"w X 7.3"h | 59"w X 8.5"h X 28.5"d | 8.3 CU. FT. |
| R3 | ROLL-UP | 50.5"w X 51.4"h | 53.4"w X 40"h X 27.3"d | 33.7 CU. FT. |

| REAR STEP COMPARTMENT | | | | |
|-----------------------|---------|--------------------|--------------------|---------------|
| COMPT | DOORS | OPENING DIMENSIONS | INSIDE DIMENSIONS | VOLUME |
| A1 | ROLL-UP | 37.5"w X 32.8"h | 40"h X 40"w X 31"d | 28.7 CU. FT. |
| TOTAL: | | | | 227.1 CU. FT. |

TWO TONE CAB SPECIAL BREAK LINE
 PAINT BREAK OPTION #3
 GRAY OVER RED



DIMENSIONS SHOWN ON THIS DRAWING ARE APPROXIMATE AND ARE SUBJECT TO MINOR DEVIATIONS DURING CONSTRUCTION.

IN THE EVENT OF A DISCREPANCY BETWEEN THE SUTPHEN SPECIFICATIONS AND DRAWING, THE SUTPHEN SPECIFICATIONS SHALL PREVAIL.

DRAWING IS FOR REFERENCE ONLY. SOME ITEMS PROPOSED MAY NOT BE SHOWN OR NOTED.

CUSTOMER APPROVAL

NAME: _____

TITLE: _____

DATE: _____

| REV. | DESCRIPTION | BY | DATE |
|------|---|----|------------|
| B | BODY LENGTH AND WHEELBASE UPDATED TO MATCH PREVIOUS BUILDS PER DUBLIN ENGINEERING | RM | 08/26/2021 |
| A | **REV-A** SHOP ORDER | TF | 06/08/2021 |

DRAWN BY:
T.FAHOUM

DATE:
02/05/21

MFG. FACILITY:
DUBLIN

SUTPHEN

WATERFORD REGIONAL FIRE DEPARTMENT
 WATERFORD TOWNSHIP, MI

CUSTOM PUMPER - PA-11 BODY

DWG. NO.: HS-7048