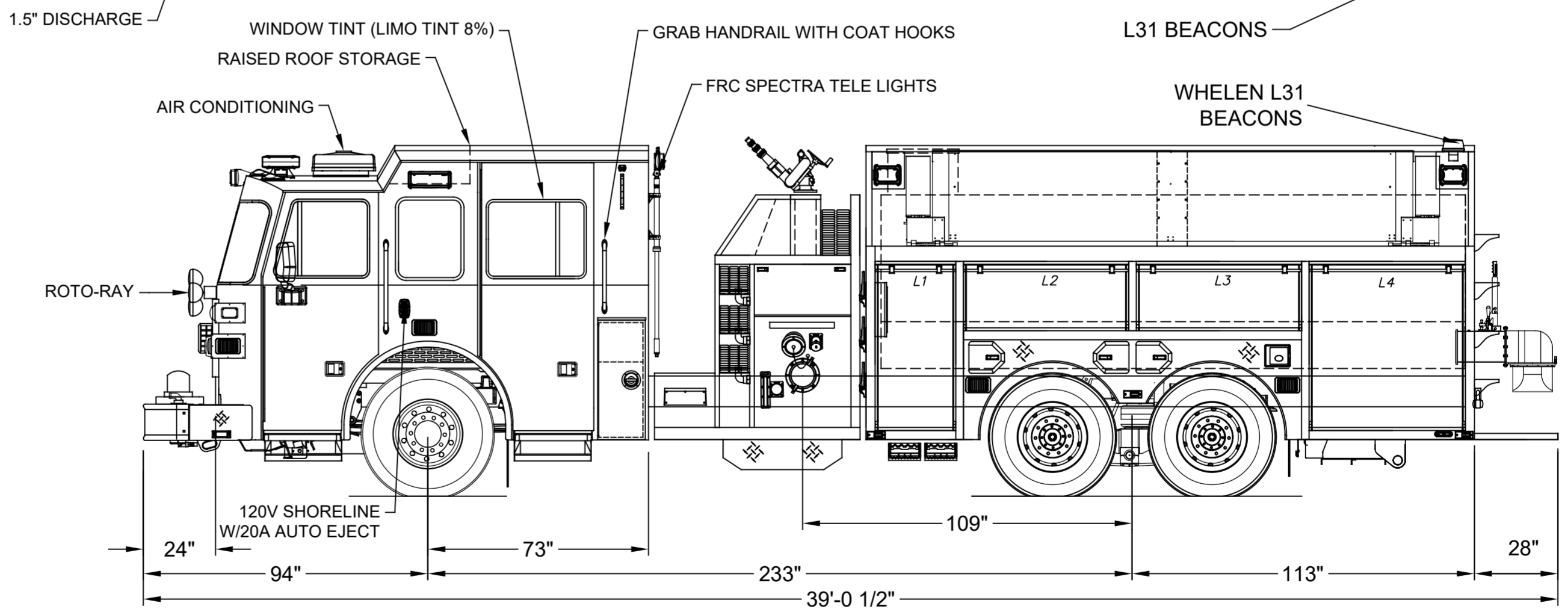
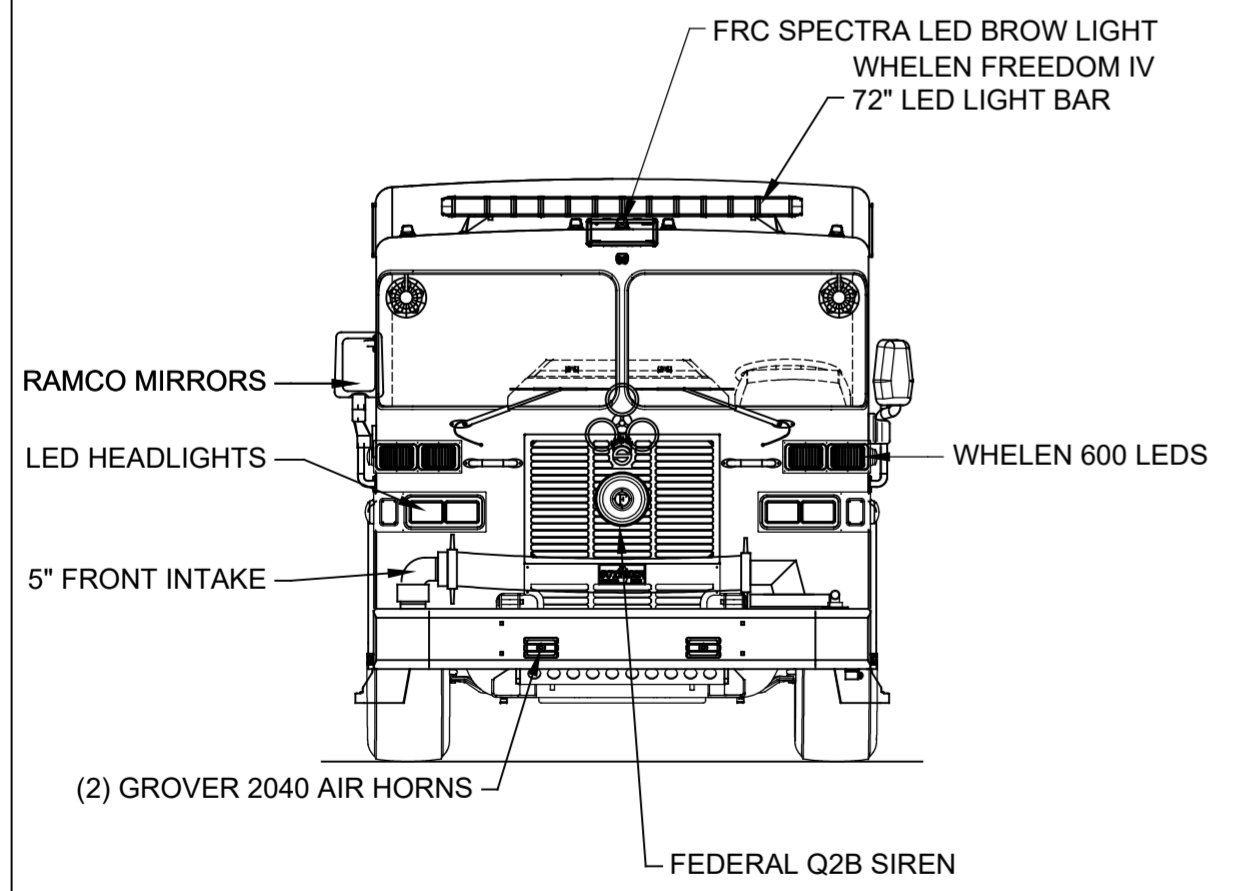
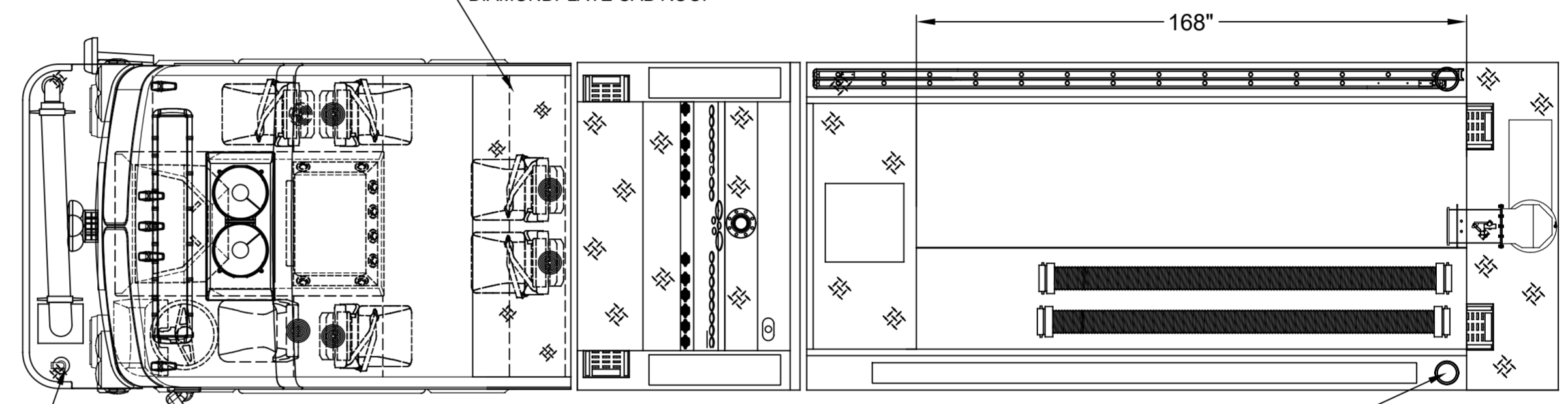


Left Side Compartmentation				
Compt	Doors	Opening Dimensions	Inside Dimensions WxHxD	Volume
L1	Roll Up	24x50	31x60x10.25/27.25	21 CU FT
L2	Roll Up	50x17	57x27x10.25	9 CU FT
L3	Roll Up	50x17	57x27x10.25	9 CU FT
L4	Roll Up	49x50	56x60x10.25/27.25	38 CU FT
Right Side Compartmentation				
Compt	Doors	Opening Dimensions	Inside Dimensions WxHxD	Volume
R1	Roll Up	24x50	31x60x10.25/27.25	21 CU FT
R2	Roll Up	50x17	57x27x10.25	9 CU FT
R3	Roll Up	50x17	57x27x10.25	9 CU FT
R4	Roll Up	49x50	56x60x10.25/27.25	38 CU FT
Total Volume				154 CU FT

HALE QMAX-XS 2000 GPM
2500 GALLON WATER TANK



DIMENSIONS SHOWN ON THIS DRAWING ARE APPROXIMATE AND ARE SUBJECT TO MINOR DEVIATIONS DURING CONSTRUCTION.	CUSTOMER APPROVAL				DRAWN BY: SED	DATE: 5/17/2021	MFG. FACILITY: EAST	 MONTROSE TWP. FIRE DEPARTMENT MONTROSE, MI CUSTOM TANKER - TA-03 DWG. NO.: HS-####
	NAME: _____	_____	_____	_____				
IN THE EVENT OF A DISCREPANCY BETWEEN THE SUTPHEN SPECIFICATIONS AND DRAWING, THE SUTPHEN SPECIFICATIONS SHALL PREVAIL.	TITLE: _____	_____	_____	_____	REV.	DESCRIPTION	BY	DATE
DRAWING IS FOR REFERENCE ONLY. SOME ITEMS PROPOSED MAY NOT BE SHOWN OR NOTED.	DATE: _____	_____	_____	_____	THIS PRINT IS PROVIDED ON A RESTRICTED BASIS AND IS NOT TO BE USED IN ANY WAY DETRIMENTAL TO THE INTEREST OF SUTPHEN CORPORATION.			